

## HARMONY ROUND SUSPENSION

### A51061-

base number    Color    Finish    Diffuser  
 Temperature    Options    Options

- To build a product code in our configurator select the specify button on the base model # product page
- To build a manual product code on this datasheet choose from the options listed below in blue font and add the suffix to the base model #

#### GENERAL

Series: Harmony Round  
 Partner: Ivela  
 Division: Architectural  
 Installation: Suspension  
 Product Type: Panels  
 Mounting Location: Ceiling  
 Light Distribution: Direct

#### PHYSICAL

Shape: Round  
 Diameter (mm): 707  
 Diameter (in): 27 <sup>13</sup>/<sub>16</sub>"  
 Height (mm): 15  
 Height (in): 9/16  
 Max. Overall Height (mm): 2500  
 Max. Overall Height (in): 98 <sup>7</sup>/<sub>16</sub>"  
 Diffuser: [PMMA - Opal / Prismatic](#)  
 Fixture Finish: [WHI / BLK / GLD](#)  
 Fixture Material: Aluminum

#### ELECTRICAL

Lamp Type: LED  
 Input Wattage (W): 44  
 Dimming: Tri-Mode (Non-Dimming and Phase Dimming (120Vac only) and 0-10V Dimming)  
 Driver Included: No  
 Driver Location: Remote  
 Driver Type: Constant Voltage - Universal  
 Driver Class: Class 2  
 Housing: ENCP 5 (ERP) ENCP 13 (SC Power)  
 Input Voltage (V): 120 - 277  
 Output Voltage (V): 24

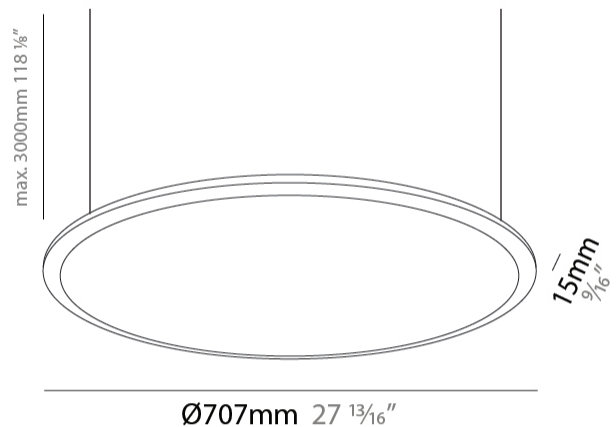
#### LED

Color Temperature (°K): [2700 / 3000 / 3500 / 4000](#)  
 Max. Delivered Lumen (lm): [3168 / 3300 / 3398 / 3498](#)  
 Nominal Lumen (lm): [5280 / 5500 / 5663 / 5830](#)  
 CRI: >93 CRI  
 Lamp Life (hrs): 50000

#### OPTICAL

#### RATINGS AND CERTIFICATIONS

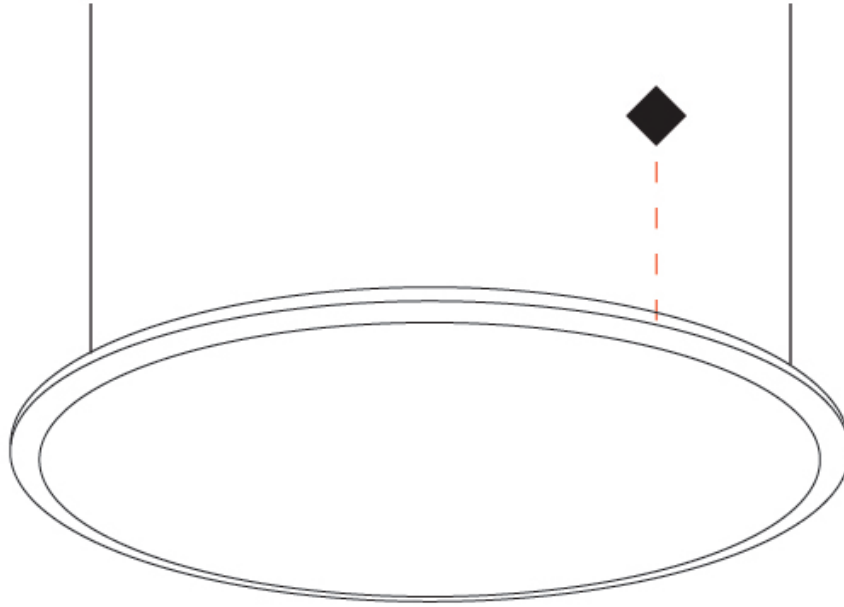
Certified By: Certified for North American Standards  
 IP rating: IP20



## HARMONY ROUND SUSPENSION

A51061-

|           |       |
|-----------|-------|
| PROJECT   | _____ |
| TYPE      | _____ |
| SPECIFIER | _____ |
| QUANTITY  | _____ |
| DATE      | _____ |



|           |       |
|-----------|-------|
| PROJECT   | _____ |
| TYPE      | _____ |
| SPECIFIER | _____ |
| QUANTITY  | _____ |
| DATE      | _____ |

## HARMONY ROUND SUSPENSION

### A51062-

|             |             |         |          |
|-------------|-------------|---------|----------|
| base number | Color       | Finish  | Diffuser |
|             | Temperature | Options | Options  |

- To build a product code in our configurator select the specify button on the base model # product page
- To build a manual product code on this datasheet choose from the options listed below in blue font and add the suffix to the base model #

#### GENERAL

Series: Harmony Round  
 Partner: Ivela  
 Division: Architectural  
 Installation: Suspension  
 Product Type: Panels  
 Mounting Location: Ceiling  
 Light Distribution: Direct

#### PHYSICAL

Shape: Round  
 Diameter (mm): 899  
 Diameter (in): 35 <sup>3</sup>/<sub>8</sub>  
 Height (mm): 19  
 Height (in): 3/4  
 Max. Overall Height (mm): 2500  
 Max. Overall Height (in): 98 <sup>7</sup>/<sub>16</sub>  
 Diffuser: [PMMA - Opal / Prismatic](#)  
 Fixture Finish: [WHI / BLK / GLD](#)  
 Fixture Material: Aluminum

#### ELECTRICAL

Lamp Type: LED  
 Input Wattage (W): 56  
 Dimming: Tri-Mode (Non-Dimming and Phase Dimming (120Vac only) and 0-10V Dimming)  
 Driver Included: No  
 Driver Location: Remote  
 Driver Type: Constant Voltage - Universal  
 Driver Class: Class 2  
 Housing: ENCP 5 (ERP) ENCP 8 (SC Power)  
 Input Voltage (V): 120 - 277  
 Output Voltage (V): 24

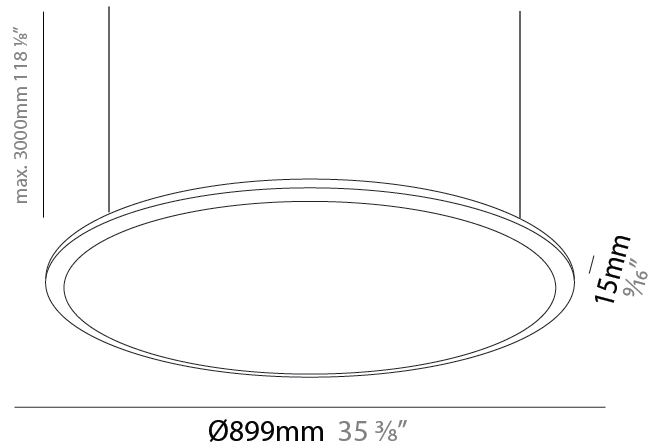
#### LED

Color Temperature (°K): [2700 / 3000 / 3500 / 4000](#)  
 Max. Delivered Lumen (lm): [4032 / 4200 / 4325 / 4452](#)  
 Nominal Lumen (lm): [6720 / 7000 / 7208 / 7420](#)  
 CRI: >93 CRI  
 Lamp Life (hrs): 50000

#### OPTICAL

#### RATINGS AND CERTIFICATIONS

Certified By: Certified for North American Standards  
 IP rating: IP20



## HARMONY ROUND SUSPENSION

A51062-

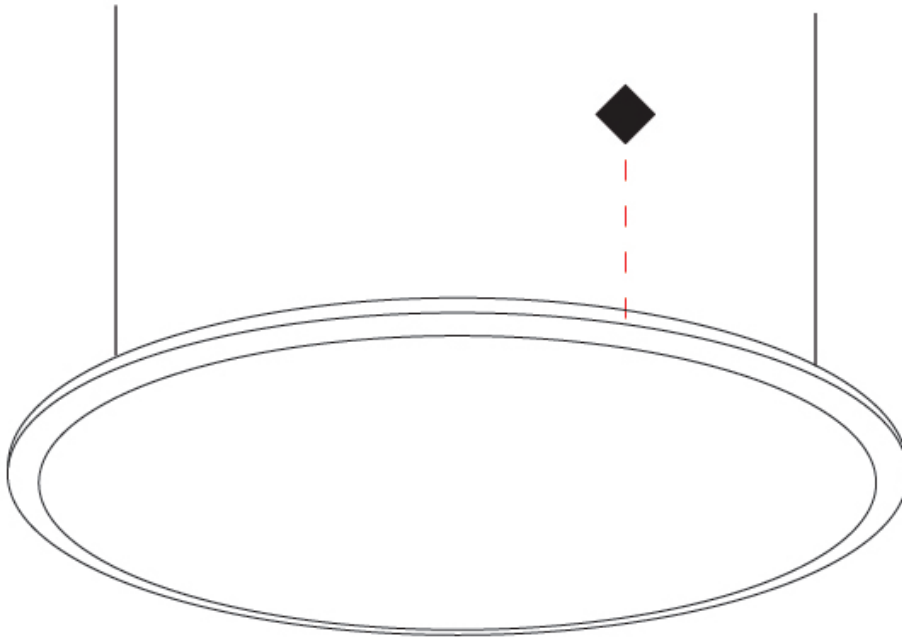
PROJECT

TYPE

SPECIFIER

QUANTITY

DATE



|           |       |
|-----------|-------|
| PROJECT   | _____ |
| TYPE      | _____ |
| SPECIFIER | _____ |
| QUANTITY  | _____ |
| DATE      | _____ |

## HARMONY ROUND SUSPENSION

### A51063-

|             |             |         |          |
|-------------|-------------|---------|----------|
| base number | Color       | Finish  | Diffuser |
|             | Temperature | Options | Options  |

- To build a product code in our configurator select the specify button on the base model # product page
- To build a manual product code on this datasheet choose from the options listed below in blue font and add the suffix to the base model #

#### GENERAL

|                            |
|----------------------------|
| Series: Harmony Round      |
| Partner: Ivela             |
| Division: Architectural    |
| Installation: Suspension   |
| Product Type: Panels       |
| Mounting Location: Ceiling |
| Light Distribution: Direct |

#### PHYSICAL

|   |
|---|
| Shape: Round                                      |
| Diameter (mm): 1216                               |
| Diameter (in): 47 7/8                             |
| Height (mm): 19                                   |
| Height (in): 3/4                                  |
| Max. Overall Height (mm): 2500                    |
| Max. Overall Height (in): 98 7/16                 |
| Diffuser: <a href="#">PMMA - Opal / Prismatic</a> |
| Fixture Finish: <a href="#">WHI / BLK / GLD</a>   |
| Fixture Material: Aluminum                        |

#### ELECTRICAL

|   |
|---|
| Lamp Type: LED  |
| Input Wattage (W): 78   |
| Dimming: Tri-Mode (Non-Dimming and Phase Dimming (120Vac only) and 0-10V Dimming) |
| Driver Included: No   |
| Driver Location: Remote   |
| Driver Type: Constant Voltage - Universal   |
| Driver Class: Class 2   |
| Housing: ENCP 5 (ERP) ENCP 8 (SC Power)   |
| Input Voltage (V): 120 - 277  |
| Output Voltage (V): 24  |

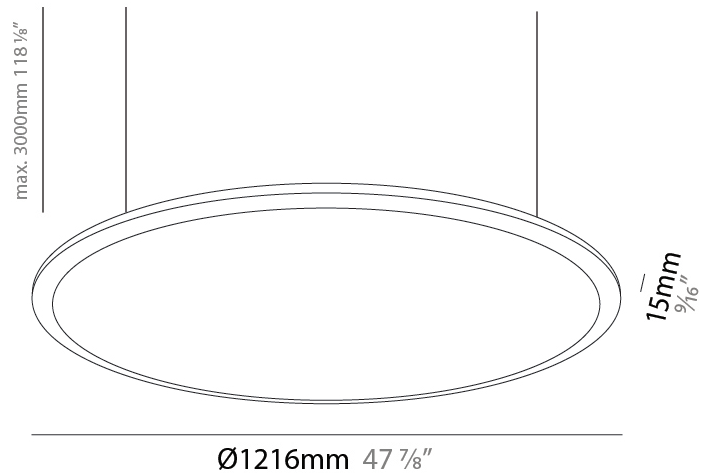
#### LED

|  |
|--|
| Color Temperature (°K): <a href="#">2700 / 3000 / 3500 / 4000</a>    |
| Max. Delivered Lumen (lm): <a href="#">5472 / 5700 / 5869 / 6042</a> |
| Nominal Lumen (lm): <a href="#">9120 / 9500 / 9783 / 10070</a>       |
| CRI: >93 CRI   |
| Lamp Life (hrs): 50000   |

#### OPTICAL

#### RATINGS AND CERTIFICATIONS

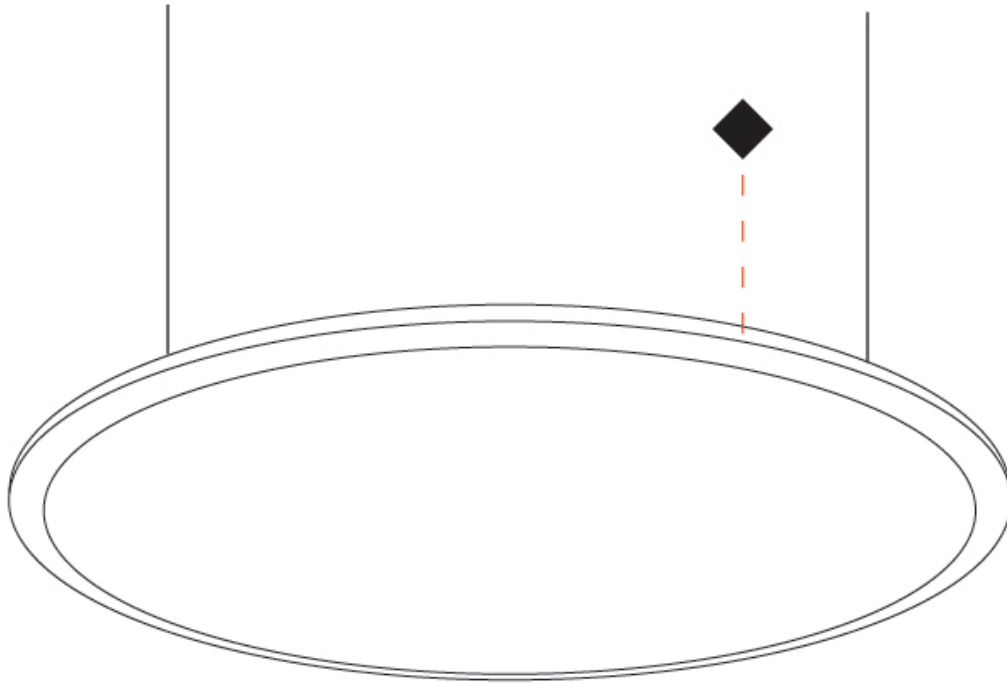
|  |
|--|
| Certified By: Certified for North American Standards |
| IP rating: IP20                                      |



## HARMONY ROUND SUSPENSION

A51063-

|           |       |
|-----------|-------|
| PROJECT   | _____ |
| TYPE      | _____ |
| SPECIFIER | _____ |
| QUANTITY  | _____ |
| DATE      | _____ |



|           |       |
|-----------|-------|
| PROJECT   | _____ |
| TYPE      | _____ |
| SPECIFIER | _____ |
| QUANTITY  | _____ |
| DATE      | _____ |

## HARMONY ROUND SURFACE

**A52032-** - -  
 base number    Color    Finish    Diffuser  
                          Temperature    Options    Options

- To build a product code in our configurator select the specify button on the base model # product page
- To build a manual product code on this datasheet choose from the options listed below in blue font and add the suffix to the base model #

### GENERAL

Series: Harmony Round  
 Partner: Ivela  
 Division: Architectural  
 Installation: Surface  
 Product Type: Panels  
 Mounting Location: Ceiling  
 Light Distribution: Direct

### PHYSICAL

Shape: Round  
 Diameter (mm): 707  
 Diameter (in): 27 <sup>13</sup>/<sub>16</sub>  
 Height (mm): 15  
 Height (in): 9/16  
 Diffuser: PMMA - Opal  
 Fixture Finish: WHI / BLK / GLD  
 Fixture Material: Aluminum

### ELECTRICAL

Lamp Type: LED  
 Input Wattage (W): 44  
 Dimming: Tri-Mode (Non-Dimming and Phase Dimming (120Vac only) and 0-10V Dimming)  
 Driver Included: No  
 Driver Location: Remote  
 Driver Type: Constant Voltage - Universal  
 Driver Class: Class 2  
 Housing: ENCP 5 (ERP) ENCP 13 (SC Power)  
 Input Voltage (V): 120 - 277  
 Output Voltage (V): 24

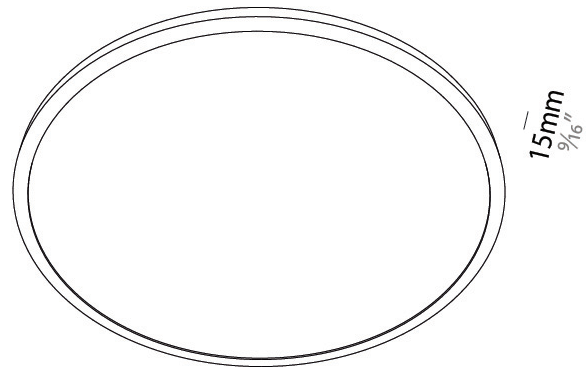
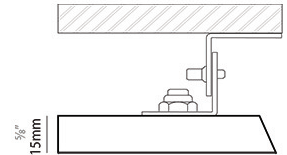
### LED

Color Temperature (°K): 2700 / 3000 / 3500 / 4000  
 Max. Delivered Lumen (lm): 3168 / 3300 / 3398 / 3498  
 Nominal Lumen (lm): 5280 / 5500 / 5663 / 5830  
 CRI: >93 CRI  
 Lamp Life (hrs): 50000

### OPTICAL

#### RATINGS AND CERTIFICATIONS

Certified By: CSA Certified to UL and CSA Standards  
 IP rating: IP20



Ø707mm 27 <sup>13</sup>/<sub>16</sub>"



## HARMONY ROUND SURFACE

A52032-

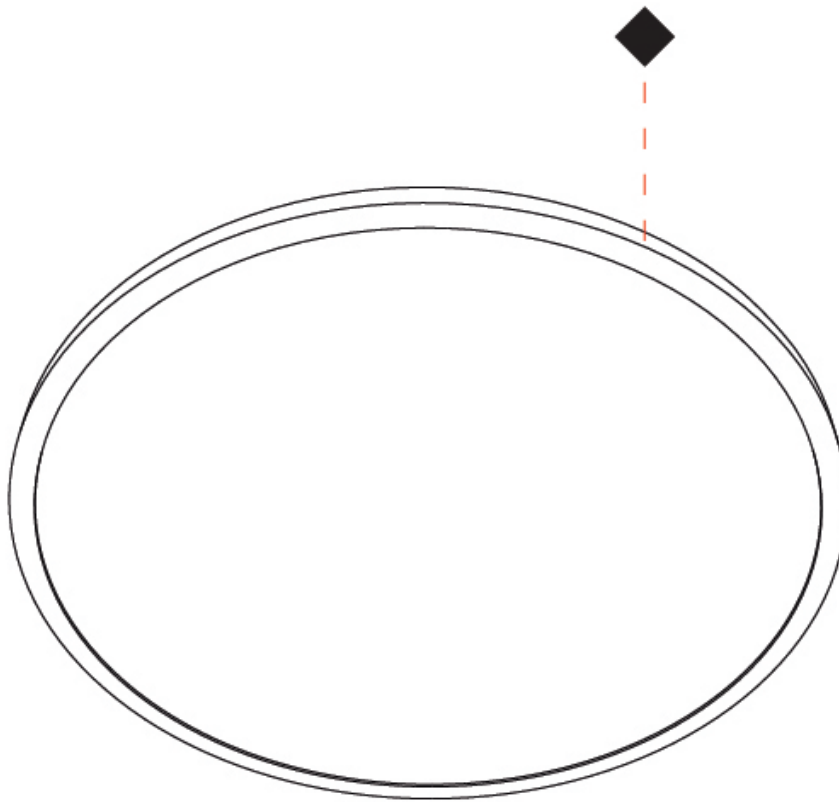
PROJECT

TYPE

SPECIFIER

QUANTITY

DATE



|           |       |
|-----------|-------|
| PROJECT   | _____ |
| TYPE      | _____ |
| SPECIFIER | _____ |
| QUANTITY  | _____ |
| DATE      | _____ |

## HARMONY ROUND SURFACE

### A52033-

|             |             |         |          |
|-------------|-------------|---------|----------|
| base number | Color       | Finish  | Diffuser |
|             | Temperature | Options | Options  |

- To build a product code in our configurator select the specify button on the base model # product page
- To build a manual product code on this datasheet choose from the options listed below in blue font and add the suffix to the base model #

#### GENERAL

|                            |
|----------------------------|
| Series: Harmony Round      |
| Partner: Ivela             |
| Division: Architectural    |
| Installation: Surface      |
| Product Type: Panels       |
| Mounting Location: Ceiling |
| Light Distribution: Direct |

#### PHYSICAL

|   |
|---|
| Shape: Round                                  |
| Diameter (mm): 899                            |
| Diameter (in): 35 <sup>3</sup> / <sub>8</sub> |
| Height (mm): 19                               |
| Height (in): 3/4                              |
| Diffuser: PMMA - Opal                         |
| Fixture Finish: WHI / BLK / GLD               |
| Fixture Material: Aluminum                    |

#### ELECTRICAL

|   |
|---|
| Lamp Type: LED  |
| Input Wattage (W): 56   |
| Dimming: Tri-Mode (Non-Dimming and Phase Dimming (120Vac only) and 0-10V Dimming) |
| Driver Included: No   |
| Driver Location: Remote   |
| Driver Type: Constant Voltage - Universal   |
| Driver Class: Class 2   |
| Housing: ENCP 5 (ERP) ENCP 8 (SC Power)   |
| Input Voltage (V): 120 - 277  |
| Output Voltage (V): 24  |

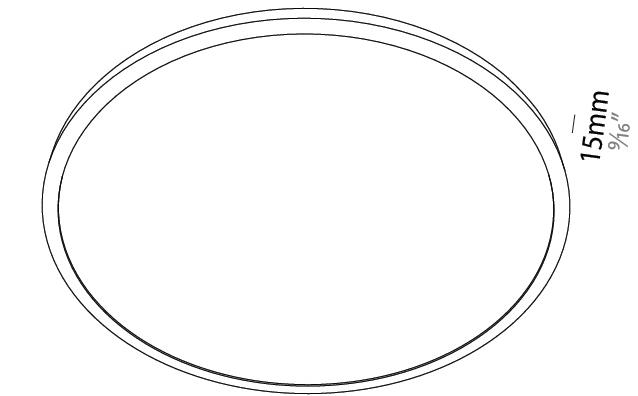
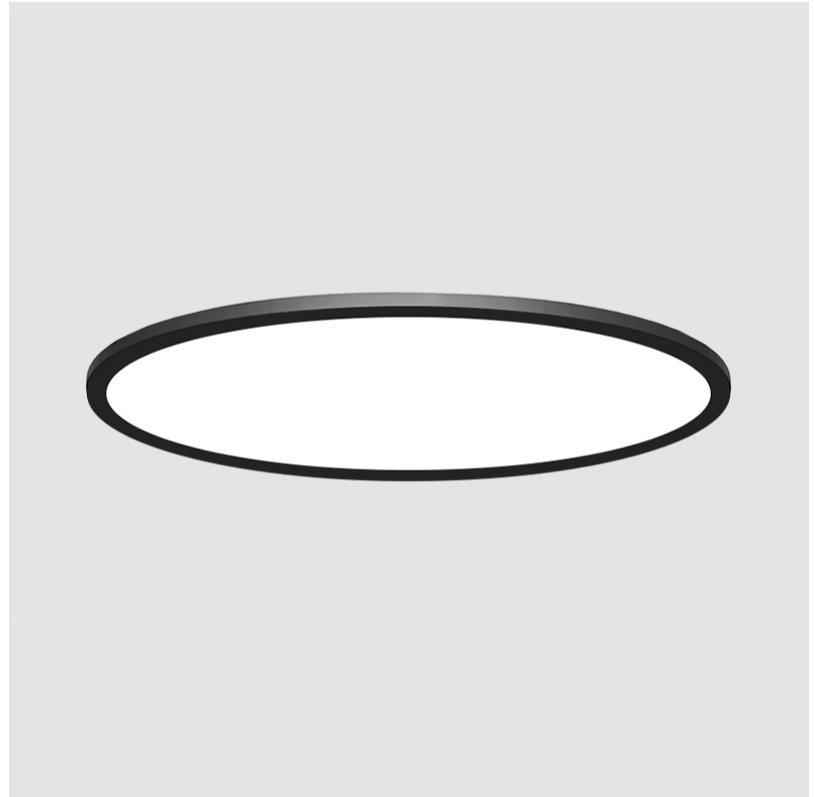
#### LED

|  |
|--|
| Color Temperature (°K): 2700 / 3000 / 3500 / 4000    |
| Max. Delivered Lumen (lm): 4032 / 4200 / 4325 / 4452 |
| Nominal Lumen (lm): 6720 / 7000 / 7208 / 7420        |
| CRI: >93 CRI   |
| Lamp Life (hrs): 50000                               |

#### OPTICAL

#### RATINGS AND CERTIFICATIONS

|   |
|---|
| Certified By: CSA Certified to UL and CSA Standards |
| IP rating: IP20                                     |



Ø899mm 35 <sup>3</sup>/<sub>8</sub>"



## HARMONY ROUND SURFACE

A52033-

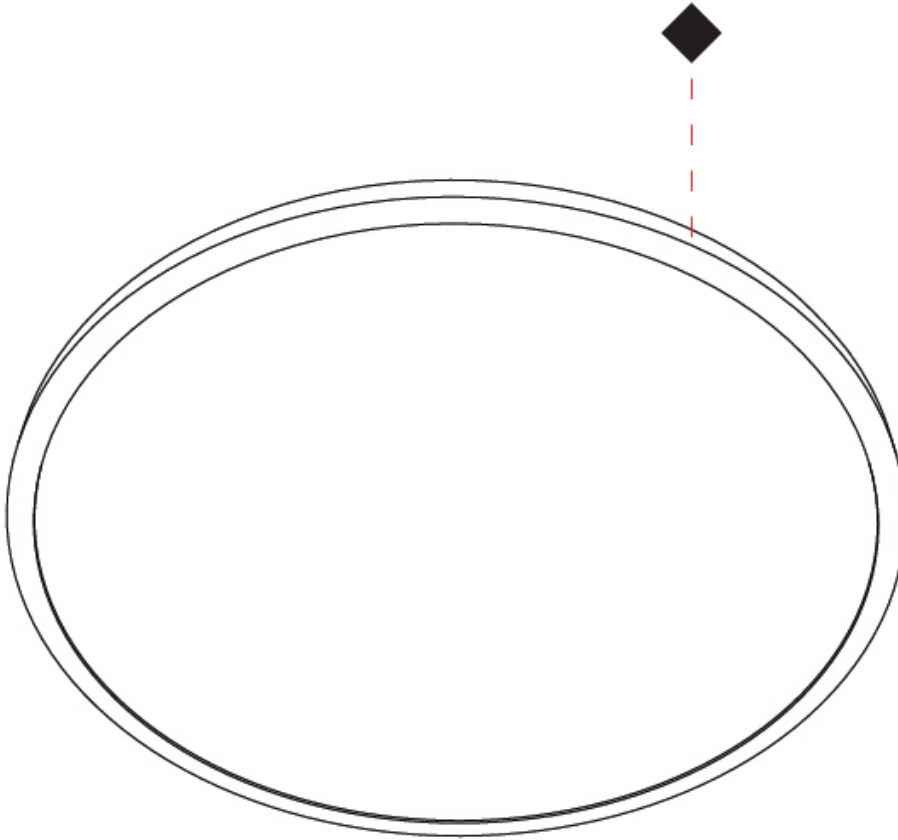
PROJECT

TYPE

SPECIFIER

QUANTITY

DATE



|           |       |
|-----------|-------|
| PROJECT   | _____ |
| TYPE      | _____ |
| SPECIFIER | _____ |
| QUANTITY  | _____ |
| DATE      | _____ |

## HARMONY ROUND SURFACE

### A52034-

|             |             |         |          |
|-------------|-------------|---------|----------|
| base number | Color       | Finish  | Diffuser |
|             | Temperature | Options | Options  |

- To build a product code in our configurator select the specify button on the base model # product page
- To build a manual product code on this datasheet choose from the options listed below in blue font and add the suffix to the base model #

#### GENERAL

|                            |
|----------------------------|
| Series: Harmony Round      |
| Partner: Ivela             |
| Division: Architectural    |
| Installation: Surface      |
| Product Type: Panels       |
| Mounting Location: Ceiling |
| Light Distribution: Direct |

#### PHYSICAL

|                                 |
|---------------------------------|
| Shape: Round                    |
| Diameter (mm): 1216             |
| Diameter (in): 47 7/8           |
| Height (mm): 19                 |
| Height (in): 3/4                |
| Diffuser: PMMA - Opal           |
| Fixture Finish: WHI / BLK / GLD |
| Fixture Material: Aluminum      |

#### ELECTRICAL

|   |
|---|
| Lamp Type: LED  |
| Input Wattage (W): 76   |
| Dimming: Tri-Mode (Non-Dimming and Phase Dimming (120Vac only) and 0-10V Dimming) |
| Driver Included: No   |
| Driver Location: Remote   |
| Driver Type: Constant Voltage - Universal   |
| Driver Class: Class 2   |
| Housing: ENCP 5 (ERP) ENCP 8 (SC Power)   |
| Input Voltage (V): 120 - 277  |
| Output Voltage (V): 24  |

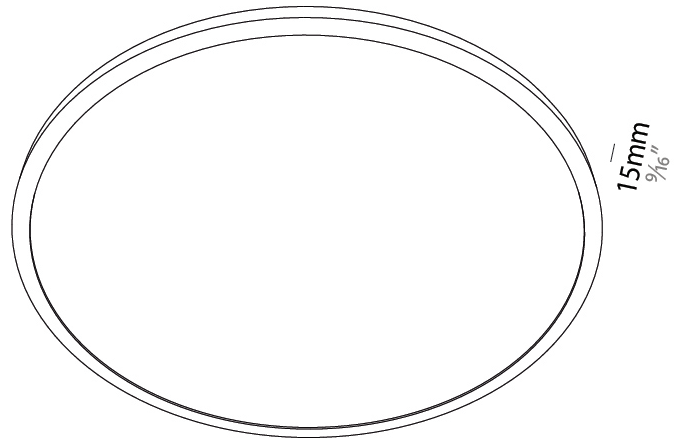
#### LED

|  |
|--|
| Color Temperature (°K): 2700 / 3000 / 3500 / 4000    |
| Max. Delivered Lumen (lm): 5472 / 5700 / 5869 / 6042 |
| Nominal Lumen (lm): 9120 / 9500 / 9783 / 10070       |
| CRI: >93 CRI   |
| Lamp Life (hrs): 50000                               |

#### OPTICAL

#### RATINGS AND CERTIFICATIONS

|   |
|---|
| Certified By: CSA Certified to UL and CSA Standards |
| IP rating: IP20                                     |



Ø1216mm 47 7/8"



## HARMONY ROUND SURFACE

A52034-

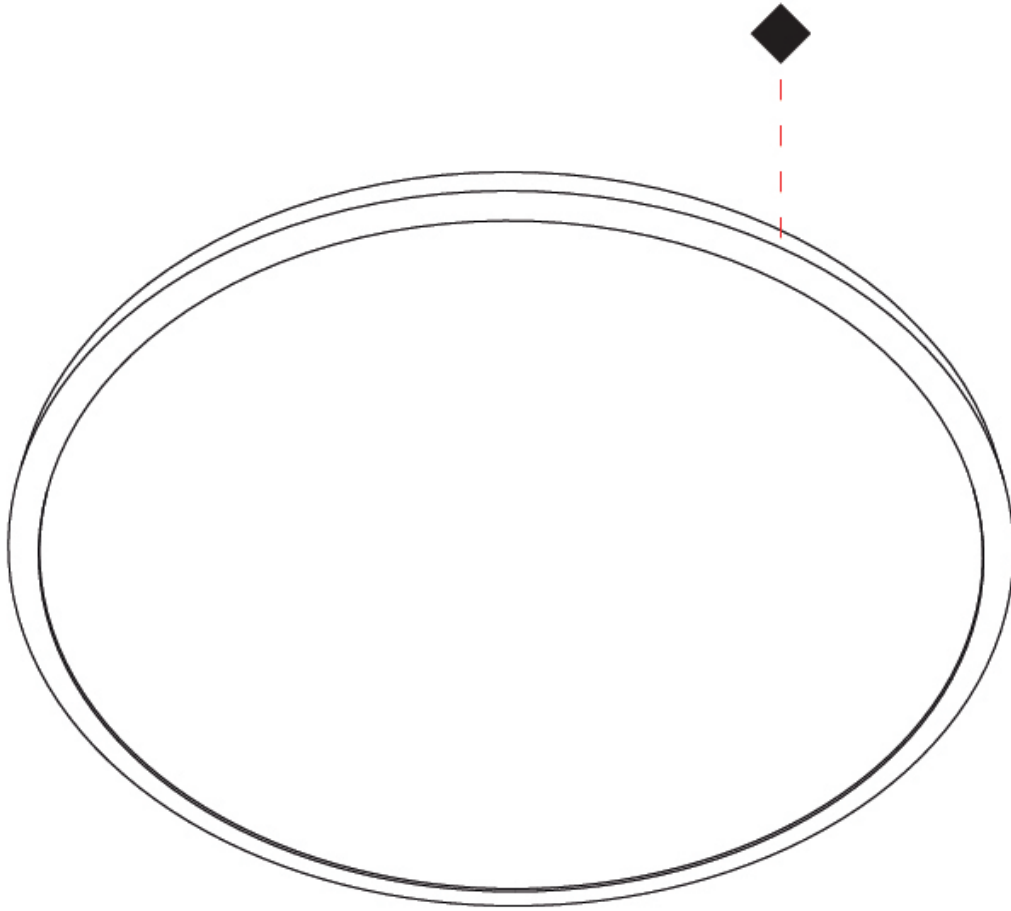
PROJECT \_\_\_\_\_

TYPE \_\_\_\_\_

SPECIFIER \_\_\_\_\_

QUANTITY \_\_\_\_\_

DATE \_\_\_\_\_



|           |
|-----------|
| PROJECT   |
| TYPE      |
| SPECIFIER |
| QUANTITY  |
| DATE      |

## HARMONY ROUND RECESSED

### A56182-

|             |                      |                   |                     |
|-------------|----------------------|-------------------|---------------------|
| base number | Color<br>Temperature | Finish<br>Options | Diffuser<br>Options |
|-------------|----------------------|-------------------|---------------------|

- To build a product code in our configurator select the specify button on the base model # product page
- To build a manual product code on this datasheet choose from the options listed below in blue font and add the suffix to the base model #

#### GENERAL

|                            |
|----------------------------|
| Series: Harmony Round      |
| Partner: Ivela             |
| Division: Architectural    |
| Installation: Recessed     |
| Product Type: Panels       |
| Mounting Location: Ceiling |
| Light Distribution: Direct |

#### PHYSICAL

|   |
|---|
| Shape: Round  |
| Diameter (mm): 707  |
| Diameter (in): 28 13/16   |
| Height (mm): 15   |
| Height (in): 9/16   |
| Diffuser: <a href="#">PMMA - Opal</a>   |
| Fixture Finish: <a href="#">WHI</a> / <a href="#">BLK</a> / <a href="#">GLD</a> |
| Fixture Material: Aluminum  |

#### ELECTRICAL

|   |
|---|
| Lamp Type: LED  |
| Input Wattage (W): 44   |
| Dimming: Tri-Mode (Non-Dimming and Phase Dimming (120Vac only) and 0-10V Dimming) |
| Driver Included: No   |
| Driver Location: Remote   |
| Driver Type: Constant Voltage - Universal   |
| Driver Class: Class 2   |
| Housing: ENCP 5 (ERP) ENCP 13 (SC Power)  |
| Input Voltage (V): 120 - 277  |
| Output Voltage (V): 24  |

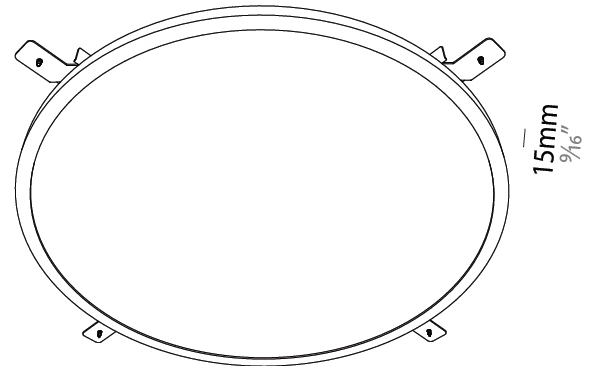
#### LED

|   |
|---|
| Color Temperature (°K): <a href="#">2700</a> / <a href="#">3000</a> / <a href="#">3500</a> / <a href="#">4000</a> |
| Max. Delivered Lumen (lm): 3168 / 3300 / 3398 / 3498  |
| Nominal Lumen (lm): 5280 / 5500 / 5663 / 5830   |
| CRI: >93 CRI  |
| Lamp Life (hrs): 50000  |

#### OPTICAL

#### RATINGS AND CERTIFICATIONS

|   |
|---|
| Certified By: CSA Certified to UL and CSA Standards |
| IP rating: IP20                                     |



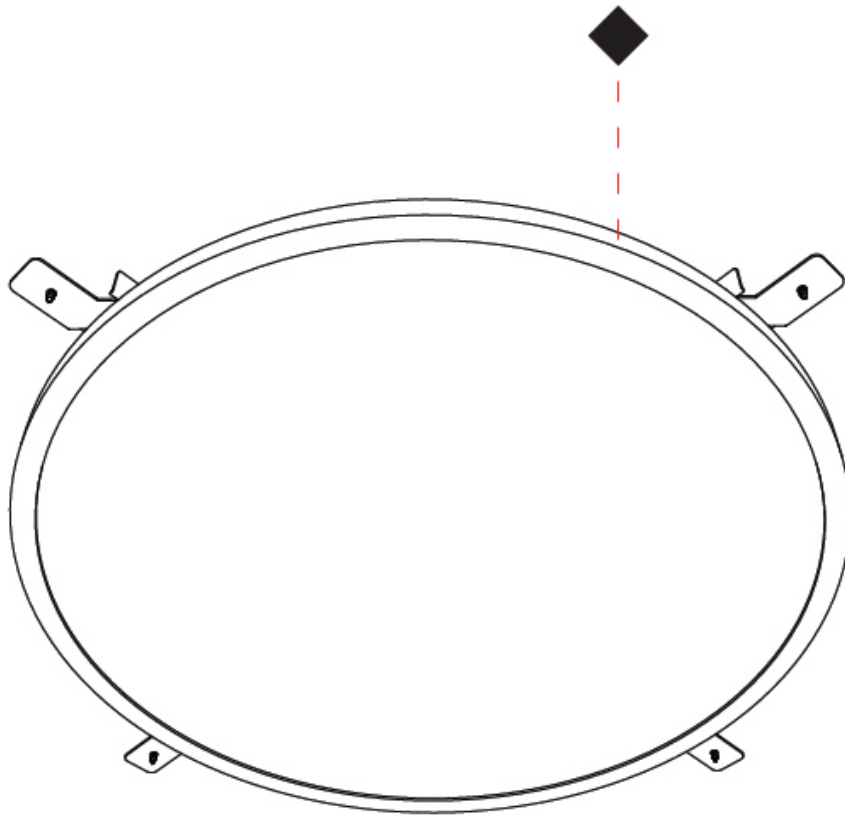
Ø707mm 27 13/16"



## HARMONY ROUND RECESSED

A56182-

|           |       |
|-----------|-------|
| PROJECT   | _____ |
| TYPE      | _____ |
| SPECIFIER | _____ |
| QUANTITY  | _____ |
| DATE      | _____ |



|           |       |
|-----------|-------|
| PROJECT   | _____ |
| TYPE      | _____ |
| SPECIFIER | _____ |
| QUANTITY  | _____ |
| DATE      | _____ |

## HARMONY ROUND RECESSED

### A56183-

|             |             |         |          |
|-------------|-------------|---------|----------|
| base number | Color       | Finish  | Diffuser |
|             | Temperature | Options | Options  |

- To build a product code in our configurator select the specify button on the base model # product page
- To build a manual product code on this datasheet choose from the options listed below in blue font and add the suffix to the base model #

#### GENERAL

|                            |
|----------------------------|
| Series: Harmony Round      |
| Partner: Ivela             |
| Division: Architectural    |
| Installation: Recessed     |
| Product Type: Panels       |
| Mounting Location: Ceiling |
| Light Distribution: Direct |

#### PHYSICAL

|   |
|---|
| Shape: Round  |
| Diameter (mm): 899  |
| Diameter (in): 35 <sup>3</sup> / <sub>8</sub>                                   |
| Height (mm): 19   |
| Height (in): 3/4  |
| Diffuser: <a href="#">PMMA - Opal</a>   |
| Fixture Finish: <a href="#">WHI</a> / <a href="#">BLK</a> / <a href="#">GLD</a> |
| Fixture Material: Aluminum  |

#### ELECTRICAL

|   |
|---|
| Lamp Type: LED  |
| Input Wattage (W): 56   |
| Dimming: Tri-Mode (Non-Dimming and Phase Dimming (120Vac only) and 0-10V Dimming) |
| Driver Included: No   |
| Driver Location: Remote   |
| Driver Type: Constant Voltage - Universal   |
| Driver Class: Class 2   |
| Housing: ENCP 5 (ERP) ENCP 8 (SC Power)   |
| Input Voltage (V): 120 - 277  |
| Output Voltage (V): 24  |

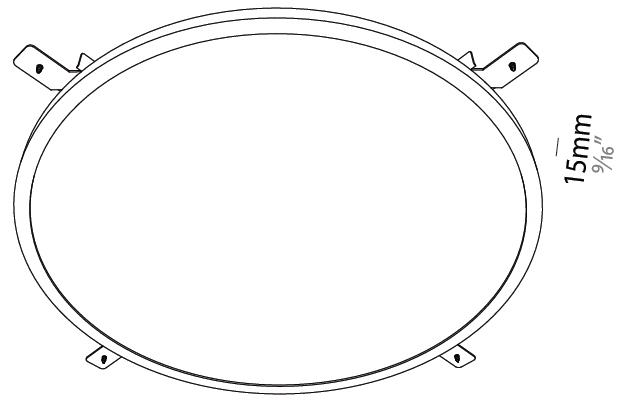
#### LED

|   |
|---|
| Color Temperature (°K): <a href="#">2700</a> / <a href="#">3000</a> / <a href="#">3500</a> / <a href="#">4000</a> |
| Max. Delivered Lumen (lm): 4032 / 4200 / 4325 / 4452  |
| Nominal Lumen (lm): 6720 / 7000 / 7208 / 7420   |
| CRI: >93 CRI  |
| Lamp Life (hrs): 50000  |

#### OPTICAL

#### RATINGS AND CERTIFICATIONS

|   |
|---|
| Certified By: CSA Certified to UL and CSA Standards |
| IP rating: IP20                                     |



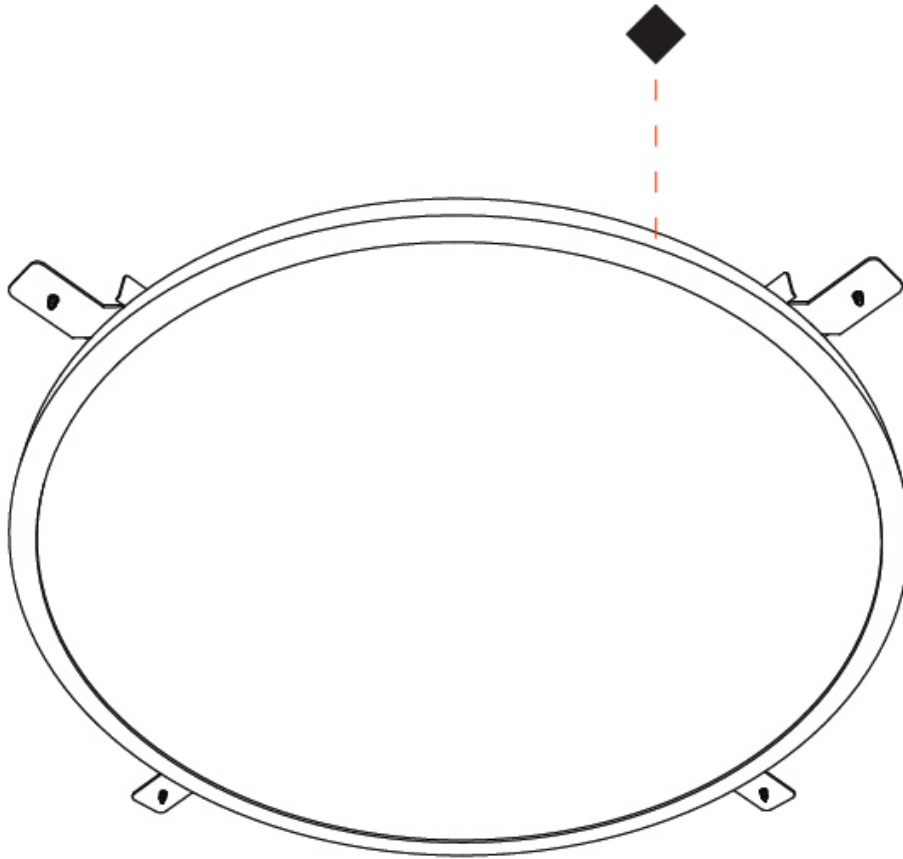
Ø899mm 35 <sup>3</sup>/<sub>8</sub>"



## HARMONY ROUND RECESSED

A56183-

|           |       |
|-----------|-------|
| PROJECT   | _____ |
| TYPE      | _____ |
| SPECIFIER | _____ |
| QUANTITY  | _____ |
| DATE      | _____ |



|           |
|-----------|
| PROJECT   |
| TYPE      |
| SPECIFIER |
| QUANTITY  |
| DATE      |

## HARMONY ROUND RECESSED

### A56184-

|             |                      |                   |                     |
|-------------|----------------------|-------------------|---------------------|
| base number | Color<br>Temperature | Finish<br>Options | Diffuser<br>Options |
|-------------|----------------------|-------------------|---------------------|

- To build a product code in our configurator select the specify button on the base model # product page
- To build a manual product code on this datasheet choose from the options listed below in blue font and add the suffix to the base model #

#### GENERAL

|                            |
|----------------------------|
| Series: Harmony Round      |
| Partner: Ivela             |
| Division: Architectural    |
| Installation: Recessed     |
| Product Type: Panels       |
| Mounting Location: Ceiling |
| Light Distribution: Direct |

#### PHYSICAL

|   |
|---|
| Shape: Round                                  |
| Diameter (mm): 1216                           |
| Diameter (in): 47 <sup>7</sup> / <sub>8</sub> |
| Height (mm): 19                               |
| Height (in): 3/4                              |
| Diffuser: PMMA - Opal                         |
| Fixture Finish: WHI / BLK / GLD               |
| Fixture Material: Aluminum                    |

#### ELECTRICAL

|   |
|---|
| Lamp Type: LED  |
| Input Wattage (W): 76   |
| Dimming: Tri-Mode (Non-Dimming and Phase Dimming (120Vac only) and 0-10V Dimming) |
| Driver Included: No   |
| Driver Location: Remote   |
| Driver Type: Constant Voltage - Universal   |
| Driver Class: Class 2   |
| Housing: ENCP 5 (ERP) ENCP 8 (SC Power)   |
| Input Voltage (V): 120 - 277  |
| Output Voltage (V): 24  |

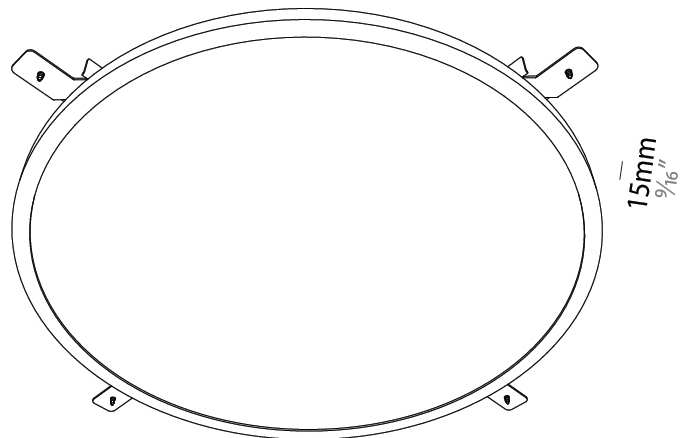
#### LED

|  |
|--|
| Color Temperature (°K): 2700 / 3000 / 3500 / 4000    |
| Max. Delivered Lumen (lm): 5472 / 5700 / 5869 / 6042 |
| Nominal Lumen (lm): 9120 / 9500 / 9783 / 10070       |
| CRI: >93 CRI   |
| Lamp Life (hrs): 50000                               |

#### OPTICAL

#### RATINGS AND CERTIFICATIONS

|   |
|---|
| Certified By: CSA Certified to UL and CSA Standards |
| IP rating: IP20                                     |



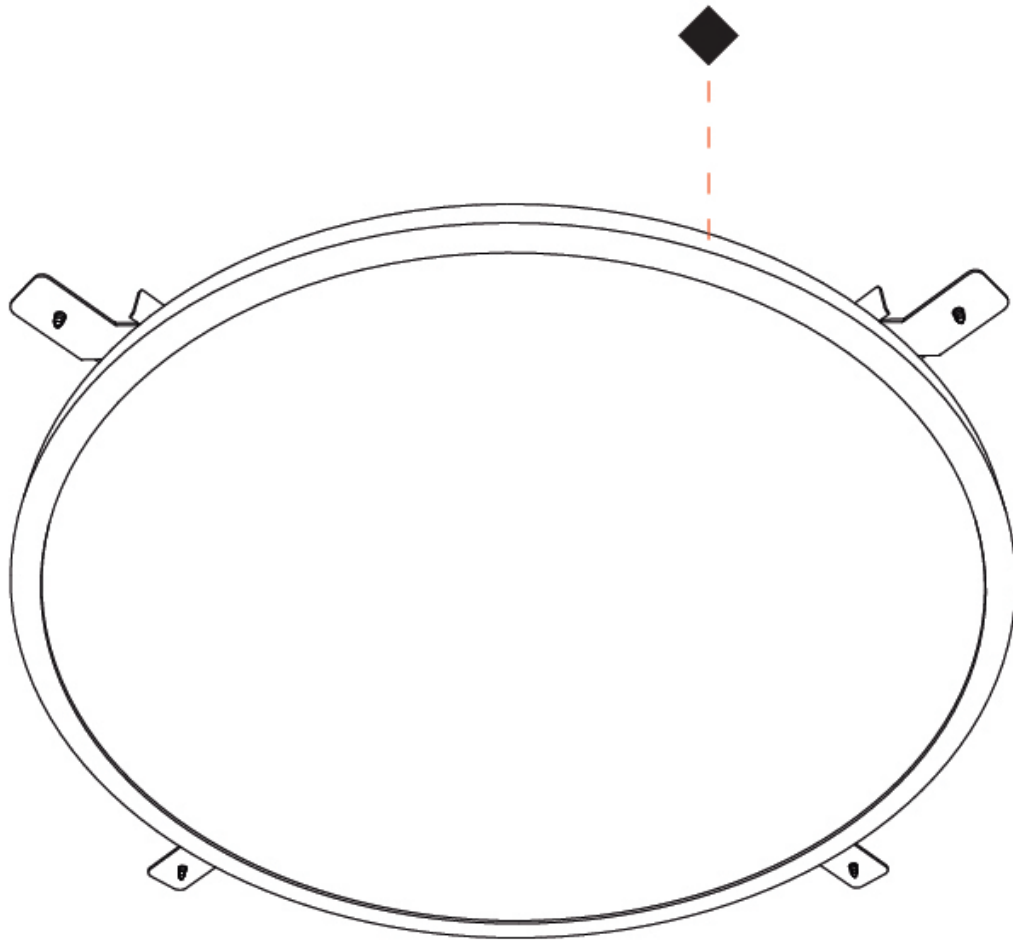
Ø1216mm 47 <sup>7</sup>/<sub>8</sub>"



## HARMONY ROUND RECESSED

A56184-

|           |       |
|-----------|-------|
| PROJECT   | _____ |
| TYPE      | _____ |
| SPECIFIER | _____ |
| QUANTITY  | _____ |
| DATE      | _____ |



## HARMONY ROUND COLOR FINISH CHART

PROJECT \_\_\_\_\_

TYPE \_\_\_\_\_

SPECIFIER \_\_\_\_\_

QUANTITY \_\_\_\_\_

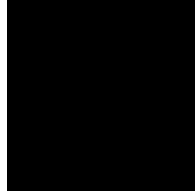
DATE \_\_\_\_\_

### Fixture Finish

White - WHI



Black - BLK



Gold - GLD



**Digital:** Not all screens are calibrated the same, and therefore, colors will appear differently between screens.

**Physical:** When texture is involved, there will be variations in color, character and tone within a product series and between product families.



### LEGEND

|  |   |   |  |   |  |
|--|---|---|--|---|--|
|    | floor-mounted   |    | pivotal  |    | special LED (upon request) RGB, RGBW, tunable, gold+, meat+, art+, fashion+                    |
|    | wall and ceiling: recessed and surface mounted            |    | rotating   |    | warm dim / natural dimming LED   |
|    | ceiling-mounted and wall-mounted                          |    | illuminate tilted  |    | rechargeable battery powered   |
|    | wall-mounted  |    | color of suspension cable                                    |    | fixture with natural vivid LED (upon request)  |
|    | omni-directional light distribution                       |    | length of suspension cable                                   |    | color rendering index  |
|    | direct light distribution                                 |    | reflector degree selection                                   |    | color temperature  |
|    | direct/indirect light distribution                        |    | super spot   |    | lumen (luminous flux)  |
|    | indirect light distribution                               |    | lens   |    | efficacy (lumens per watt)   |
|    | asymmetric light distribution                             |    | lens pack  |    | Unified Glare Rating (UGR) range from 5-40   |
|    | aura light distribution                                   |    | shine ring   |    | marine grade (AISI 316 stainless steel)  |
|    | round wall or ceiling cut-out                             |    | integrated shine ring with diffuser                          |    | walk on  |
|    | square wall or ceiling cut-out                            |    | free individual colors 01-29                                 |    | drive on   |
|    | the supplied jig specifies the cutout dimensions          |    | individual colors: 00 (free of charge), 01-25 (extra charge) |    | Dark Sky Compliance  |
|    | minimum distance (meters) lamp - object                   |    | luminaire part to be colored (F1)                            |    | Americans with Disabilities Act (less than 4" off the wall located between 27"-84" from floor) |
|    | recessed depth  |    | luminaire part to be colored (F2)                            |    | lamp protected against explosion   |
|   | ceiling thickness in mm                                   |   | luminaire part to be colored (F3)                            |   | blown glass using traditional methods by master glass blower                                   |
|  | ceiling thickness selection                               |  | luminaire part to be colored (F4)                            |  | acoustic material  |
|  | dimmable DP (phase), DV (0-10V), DD (dali), DS (step-dim) |  | luminaire part to be colored (F5)                            |  | protection class I, protection insulation  |
|  | included or excluded LED driver/transformer/control gear  |  | color of 3-circuit adaptor                                   |  | protection class II, protection insulation   |
|  | separately switchable                                     |  | indirect diffuser  |  | ETL Certified to UL and CSA Standards  |
|  | sensor  |  | direct diffuser  |  | UL Certified to UL and CSA Standards   |
|  | remote control  |  | ball-proof (upon request)                                    |  | CSA Certified to UL and CSA Standards  |
|  | available upon request                                    |  | accessory  |  | Certified for North American Standards   |

### IP RATING

|   |  |
|---|--|
|  | protected against ingress of solid bodies greater than 12.5mm (finger)   |
|  | protected against ingress of solid bodies greater than 2.5mm<br>protected against sprays of water up to 60 degrees from the vertical (rain)      |
|  | protected against ingress of solid bodies greater than 1mm (wire)<br>no protection against the ingress of moisture                               |
|  | protected against ingress of solid bodies greater than 1mm (wire)<br>protected against sprays of water up to 60 degrees from the vertical (rain) |
|  | protected against ingress of solid bodies greater than 1mm (wire)<br>protected against water splashed from all directions                        |
|  | protected against limited ingress of dust (wet rooms/covered outdoor areas)<br>protected against water splashed from all directions              |
|  | protected against ingress of dust<br>protected against jets of water   |
|  | protected against ingress of dust<br>protected against powerful jets of water or heavy seas  |
|  | protected against ingress of dust<br>protected against immersion of water between 15cm - 1m for 30 minutes                                       |
|  | protected against ingress of dust<br>protected against immersion of water under pressure for long periods  |

### IK RATING

|   |   |
|---|---|
|  | protected against 0.14 joules impact (equivalent to 0.25kg mass dropped from 56mm above the surface)  |
|  | protected against 0.2 joules impact (equivalent to 0.25kg mass dropped from 80mm above the surface)   |
|  | protected against 0.35 joules impact (equivalent to 0.25kg mass dropped from 140mm above the surface) |
|  | protected against 0.5 joules impact (equivalent to 0.25kg mass dropped from 200mm above the surface)  |
|  | protected against 0.7 joules impact (equivalent to 0.25kg mass dropped from 280mm above the surface)  |
|  | protected against 1 joules impact (equivalent to 0.25kg mass dropped from 400mm above the surface)    |
|  | protected against 2 joules impact (equivalent to 0.5kg mass dropped from 400mm above the surface)     |
|  | protected against 5 joules impact (equivalent to 1.7kg mass dropped from 300mm above the surface)     |
|  | protected against 10 joules impact (equivalent to 5.0kg mass dropped from 200mm above the surface)    |
|  | protected against 20 joules impact (equivalent to 5.0kg mass dropped from 400mm above the surface)    |